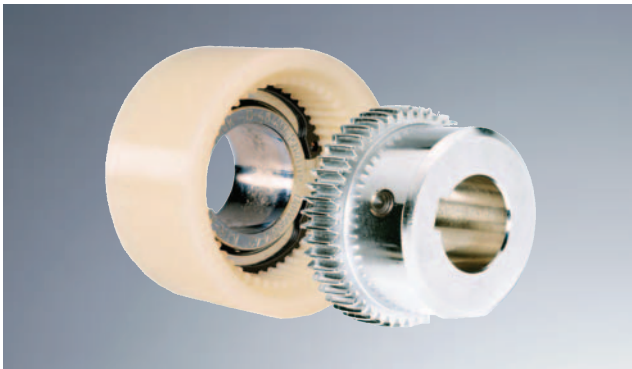
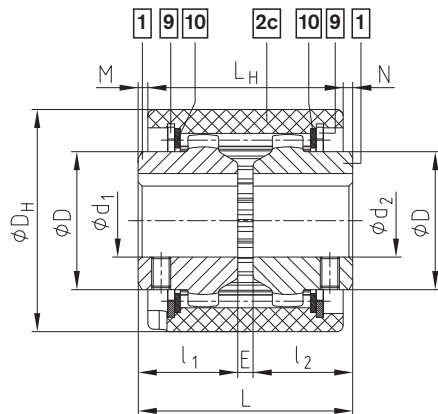


Type AS and type Spec.-I

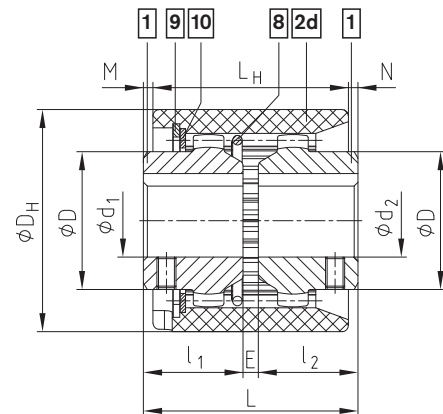


- Double cardanic curved-tooth gear coupling
- Maintenance-free due to the material combination nylon/steel
- Compensating for axial, radial and angular shaft misalignment
- Type AS – separable coupling design - axially movable sleeve when assembled
- Type Spec.-I – axial plug-in for blind assembly
- Application range from - 25 °C to + 100 °C
- Available with finish bore acc. to ISO fit H7, keyway to DIN 6885, sheet 1 - JS9 and thread for setscrews (page 80)
- Finish bores see stock programme on page 81
- For performance data see page 78

Components



Type AS



Type Spec. - I

BoWex® type AS and type Spec.-I

Size	Pilot bore		Finish bore d_1, d_2	Dimensions [mm]									Weight with max. bore- ϕ			Massmoment of inertia J with max. bore- ϕ		
	Un-bored	Pilot bored		max.	l_1, l_2	E	L	L_H	M, N	D	D_H	Leng- thened l_1, l_2 max.	Sleeve [kg]	Hub [kg]	Total [kg]	Sleeve [kgcm ²]	Hub [kgcm ²]	Total [kgcm ²]
24	x	-	Finish bores see stock programme	24	26	4	56	51	2,5	36	58	50	0,11	0,14	0,39	0,38	0,36	1,10
28	x	-		28	40	4	84	56	14	44	70	55	0,16	0,33	0,82	1,54	1,22	3,98
32	x	-		32	40	4	84	58	13	50	84	55	0,21	0,43	1,07	2,75	2,17	7,09
45	x	-		45	42	4	88	60	14	65	100	60	0,27	0,63	1,53	5,49	5,66	16,81
65	-	21		65	55	4	114	84	15	96	140	70	0,84	2,10	5,00	29,83	43,96	117,8
80	-	31		80	90	6	186	93	46,5	124	175	-	1,30	5,20	11,70	83,20	150,8	384,8
100	-	38		100	110	8	228	102	63	152	210	-	2,05	9,40	20,80	184,4	401,3	987,0
125	-	45	125	140	10	290	134	78	192	270	-	4,32	19,44	43,10	620,0	1362,3	3344,6	

Order form:

BoWex® 32 AS	$d_1 \text{ } \phi 32$	$d_2 \text{ } \phi 32$
Size and type of coupling AS or Spec.-I	Finish bore H7 keyway to DIN 6885 sheet 1 (JS9)	Finish bore H7 keyway to DIN 6885 sheet 1 (JS9)