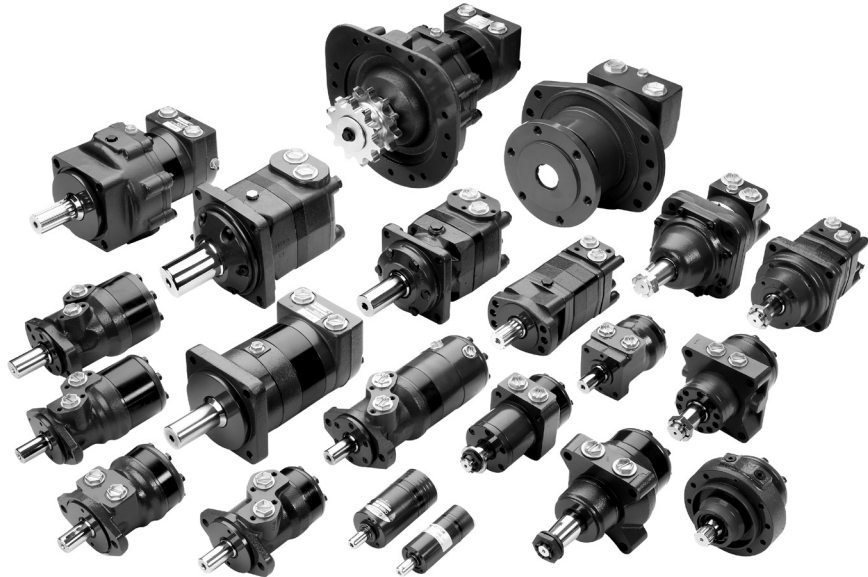


Revision view

Date	Page	Changed	Revision
Apr 2008	Many	Pictures, drawings and text	AB
Jul 2008	Various	Text	AC
Mar 2010	36	Japan location	AE



F301 245

A Wide Range of Orbital Motors

Sauer-Danfoss is a world leader within production of low speed orbital motors with high torque. We can offer more than 3000 different orbital motors, categorised in types, variants and sizes (incl. different shaft versions).

The motors vary in size (rated displacement) from 8 cm³ (0.50 in³) to 800 cm³ (48.9 in³) per revolution.

Speeds range up to approx. 2500 min⁻¹ (rpm) for the smallest type and up to approx 600 min⁻¹ (rpm) for the largest type.

Maximum operating torques vary from 13 Nm (115 lbf-in] to 2700 Nm (24.000 lbf-in] (peak) and maximum outputs are from 2.0 kW (2.7 hp] to 70 kW (95 hp].

Characteristic features:

- Smooth running over the entire speed range
- Constant operating torque over a wide speed range
- High starting torque
- High return pressure without the use of drain line (High pressure shaft seal)
- High efficiency
- Long life under extreme operating conditions
- Robust and compact design
- High radial and axial bearing capacity

© 2010 Sauer-Danfoss. All rights reserved. Printed in Europe.

Sauer-Danfoss accepts no responsibility for possible errors in catalogs, brochures and other printed material. Sauer-Danfoss reserves the right to alter its products without prior notice. This also applies to products already ordered provided that such alterations aren't in conflict with agreed specifications. All trademarks in this material are properties of their respective owners. Sauer-Danfoss and the Sauer-Danfoss logotype are trademarks of the Sauer-Danfoss Group.

OML and OMM Technical Information A Wide Range of Orbital Motors

- For applications in both open and closed loop hydraulic systems
- Suitable for a wide variety of hydraulics fluids

The programme is characterised by technical features appealing to a large number of applications and a part of the programme is characterised by motors that can be adapted to a given application. Adaptions comprise the following variants among others:

- Motors with corrosion resistant parts
- Wheel motors with recessed mounting flange
- OMP, OMR- motors with needle bearing
- OMR motor in low leakage version
- OMR motors in a super low leakage version
- Short motors without bearings
- Ultra short motors
- Motors with integrated positive holding brake
- Motors with integrated negative holding brake
- Motors with integrated flushing valve
- Motors with speed sensor
- Motors with tacho connection
- All motors are available with black finish paint

Planetary gears

Sauer - Danfoss complements the motor range with a complete programme of planetary gears adapted to suit. The combination of motors and gears makes it possible to obtain smooth running at fractional speeds and with torques up to 650.000 Nm (5.800.000 lbf-in).

The Sauer–Danfoss LSHT motors are used in the following application areas:

- Construction equipment
- Agricultural equipment
- Material handling & Lifting equipment
- Forestry equipment
- Lawn and turf equipment
- Special purpose
- Machine tools and stationary equipment
- Marine equipment

Survey of Literature with Technical Data on Sauer-Danfoss Orbital Motors

Detailed data on all Sauer-Danfoss orbital motors can be found in our motor catalogue, which is divided into more individual subcatalogues:

- General information on Sauer-Danfoss orbital motors: function, use, selection of orbital motor, hydraulic systems, etc.
- Technical data on small motors: OML and OMM
- Technical data on medium sized motors: OMP, OMR, OMH and OMEW
- Technical data on medium sized motors: DH and DS
- Technical data on large motors: OMS, OMT and OMV
- Technical data on large motors: TMT

A general survey brochure on Sauer-Danfoss orbital motors gives a quick motor reference based on power, torque, speed and capabilities.

Contents

OML and OMM 4
 Speed, Torque and Output 4

OML 6
 Versions 6
 Code Numbers 7
 Technical Data for OML with 16 mm and 5/8 in Cylindrical Shaft 8
 Technical Data 8
 Max. Permissible Shaft Seal Pressure 9
 Pressure Drop in Motor 9
 Direction of Shaft Rotation 10
 Permissible Shaft Loads for OML 10
 Function Diagrams 11
 Shaft Version 13
 Port Thread Versions 14
 Dimensions 15

OMM 18
 Versions 18
 Code Numbers 19
 Technical Data for OMM with 16 mm and 5/8 in Cylindrical Shaft 20
 Technical Data 20
 Max. Permissible Shaft Seal Pressure 21
 Pressure Drop in Motor 21
 Direction of Shaft Rotation 22
 Permissible Shaft Loads for OMM 22
 Function Diagrams 23
 Shaft Version 26
 Port Thread Versions 27
 Dimensions 28
 Accessories 32

Hydraulic Systems 35
 Installation of the Sauer-Danfoss Orbital Motors 35
 Starting Up and Running in the Hydraulic System 35
 Operation 35
 Maintenance 35
 Hydraulic Systems 35

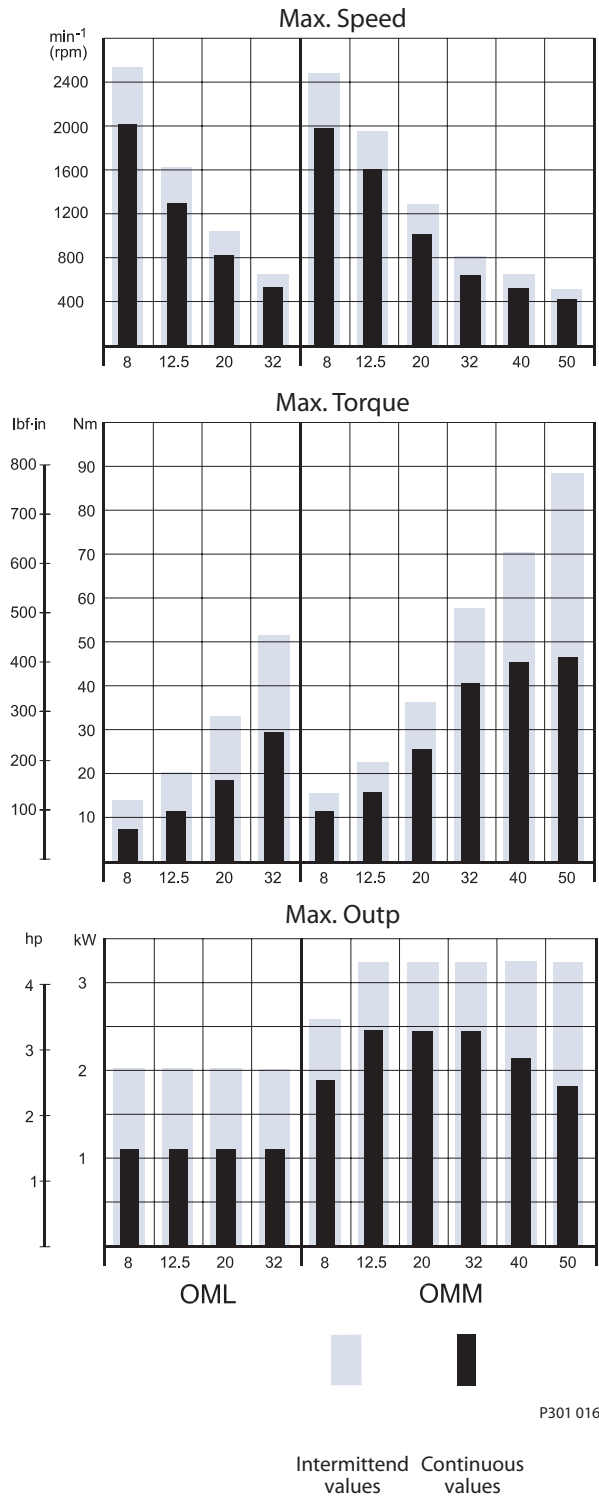
Speed, Torque and Output

The bar diagrams, see page 5, are useful for a quick selection of relevant motor size for the application. The final motor size can be determined by using the function diagram for each motor size.

- OML can be found on pages 11 - 12
- OMM can be found on pages 23 - 25

The function diagrams are based on actual tests on a representative number of motors from our production. The diagrams apply to a return pressure between 5 and 10 bar [75 and 150 psi] when using mineral based hydraulic oil with a viscosity of 35 mm²/s [165 SUS] and a temperature of 50°C [120°F]. For further explanation concerning how to read and use the function diagrams, please consult the paragraph "Selection of motor size" in the technical information "General" DKMH.PK.100.G2.02 520L0232.

Speed, Torque and Output



P301 016

Versions

Mounting	Shaft	Port size	European version	US version	Side port version	End port version	Standard shaft seal	Drain connection	Check valve	Specials	Main type designation
Front, 4 × M5	Cyl. 16 mm	G 1/4	X			X	X	No	Yes		OML
Front, 4 × 10-32 UNF	Cyl. 5/8 in	7/16 - 20 UNF		X		X	X	No	Yes		OML

Function diagram - see page : →

Features available (options) :
 Painted

Code Numbers

Code Numbers	DISPLACEMENT (cm ³)				Technical data – Page	Dimensions – Page
	8	12.5	20	32		
151G	2001	2002	2003	2004	8	15
151G	2021	2022	2023	2024	8	16
→	11	11	12	12		

Ordering

Add the four digit prefix “151G” to the four digit numbers from the chart for complete code number.

Example:

151G2001 for an OML 8 with front mounting (4 × M5), cyl. 16 mm shaft and port size G 1/4.

Note: Orders will not be accepted without the four digit prefix.

Technical Data for OML with 16 mm and 5/8 in Cylindrical Shaft

Type		OML	OML	OML	OML
Motor Size		8	12.5	20	32
Geometric displacement	cm ³ [in ³]	8.0 [0.49]	12.5 [0.77]	20.0 [1.22]	32.0 [1.96]
Max. speed	min ⁻¹ [rpm]	cont.	2000	1280	800
		int. ¹⁾	2500	1600	1000
Max. torque	Nm [lbf·in]	cont.	7 [60]	11 [100]	18 [160]
		int. ¹⁾	13 [120]	20 [180]	32 [280]
Max. output	kW [hp]	cont.	1.1 [1.5]	1.1 [1.5]	1.1 [1.5]
		int. ¹⁾	2.0 [2.7]	2.0 [2.7]	2.0 [2.7]
Max. pressure drop	bar [psi]	cont.	70 [1020]	70 [1020]	70 [1020]
		int. ¹⁾	125 [1810]	125 [1810]	125 (85) ³ [1810] [800] ³
		peak ²⁾	140 [2030]	140 [2030]	125 (85) ³ [2030] [1230] ³
Max. oil flow	l/min [USgal/min]	cont.	16 [4.2]	16 [4.2]	16 [4.2]
		int. ¹⁾	20 [5.3]	20 [5.3]	20 [5.3]
Max. starting pressure with unloaded shaft	bar [psi]	4 [60]	4 [60]	4 [60]	4 [60]
Min. starting torque	at max. press. drop cont.	5 [45]	9 [80]	15 [135]	24 [210]
	at max. press. drop int. ¹⁾	10 [90]	16 [140]	27 [240]	42 [370]
Min. speed ⁴⁾	min ⁻¹ [rpm]	50	50	50	50

Type	Max. Inlet Pressure	
OML 8 - 32	bar [psi]	cont. 125 [1810]
	bar [psi]	int. ¹⁾ 140 [2030]
	bar [psi]	peak ²⁾ 140 [2030]

¹⁾ Intermittent operation: the permissible values may occur for max. 10% of every minute.

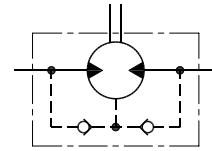
²⁾ Peak load: the permissible values may occur for max. 1% of every minute.

³⁾ Max. pressure drop in applications with a large moment of inertia and frequent stops or reversings.

⁴⁾ Operation at lower speed may be slightly less smooth.

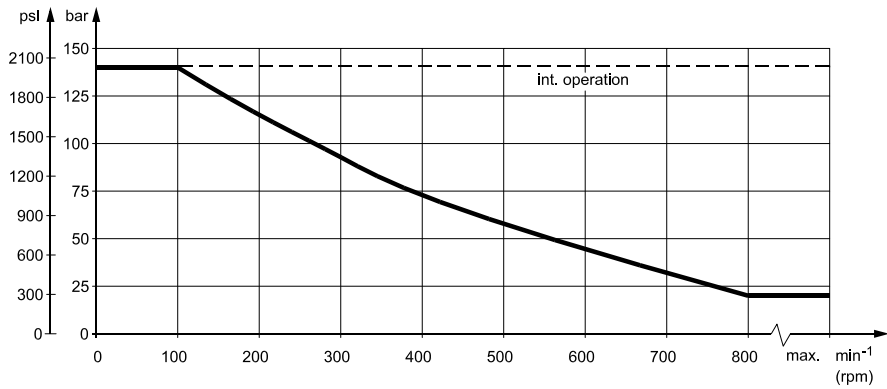
Max. Permissible Shaft Seal Pressure

OML has incorporated check valves which ensure that the pressure on the shaft seal never exceeds the pressure in the returnline



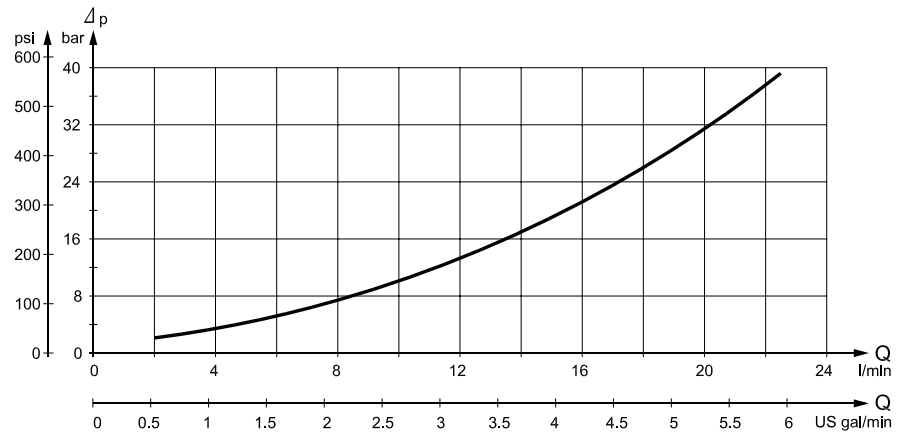
151-1316.10

Max. return pressure (max. pressure on shaft seal)



151-1671.10

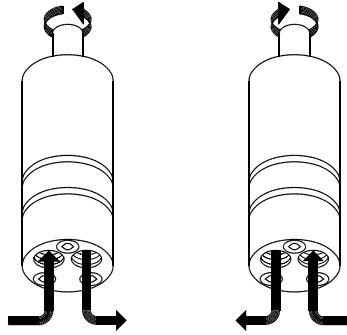
Pressure Drop in Motor



151-1415.10

The curve applies to an unloaded motor shaft and an oil viscosity of 35 mm²/s [165 SUS]

**Direction of Shaft
Rotation**



151-1309.10

**Permissible Shaft Loads
for OML**

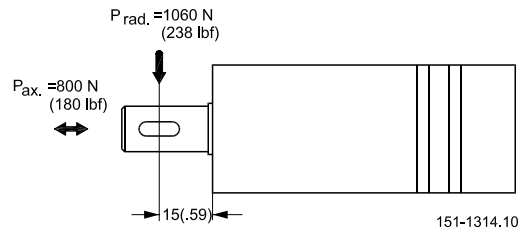
The permissible radial shaft load ($P_{rad.}$) is calculated from the distance (l) between the point of load and the mounting surface:

$$P_{rad.} = \frac{84500}{64.5 + l} \text{ N (l in mm; } l \leq 80)$$

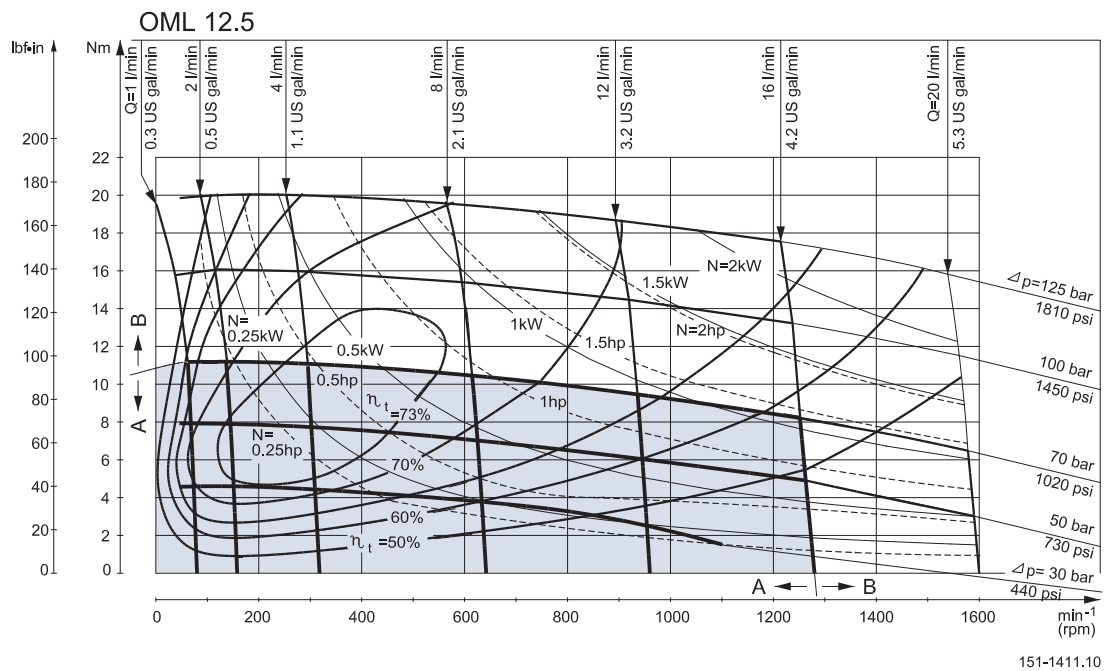
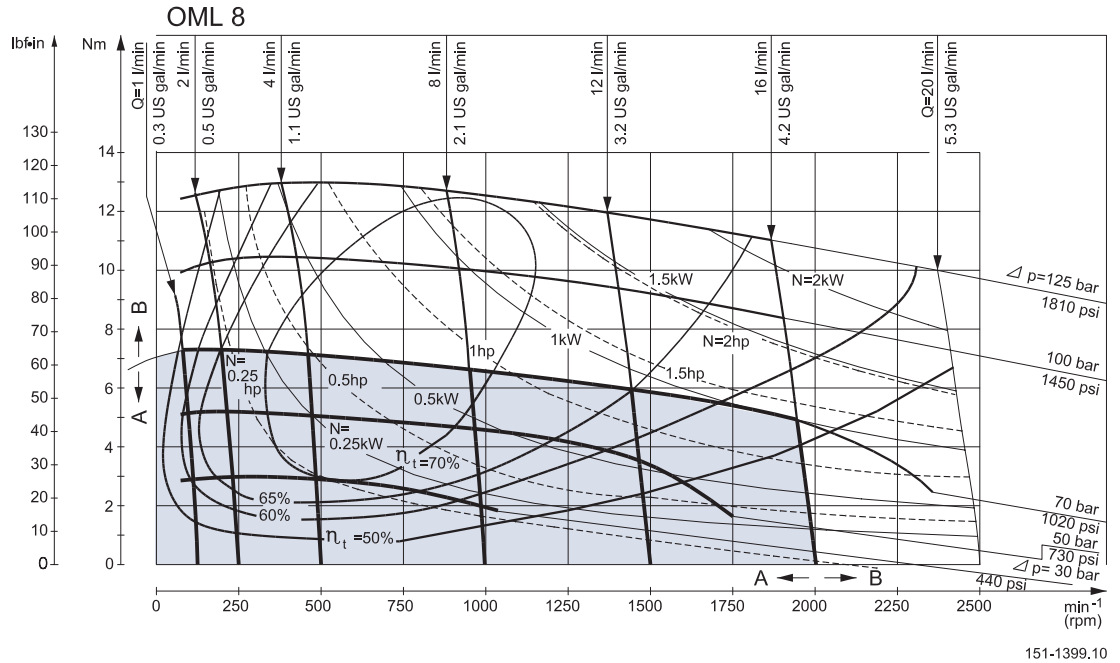
$$P_{rad.} = \frac{748}{254 + l} \text{ lbf (l in inch; } l \leq 3.15)$$

The drawing shows the permissible radial load when $l = 15 \text{ mm [0.59 in]}$.

The calculated shaft load should never exceed the permissible value.



Function Diagrams



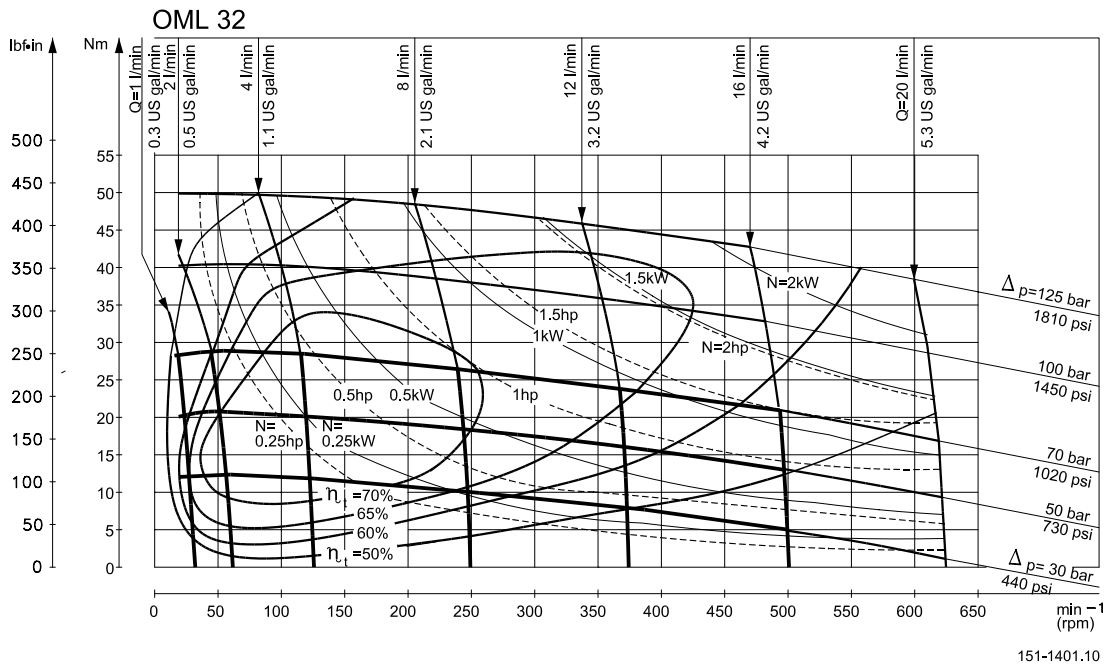
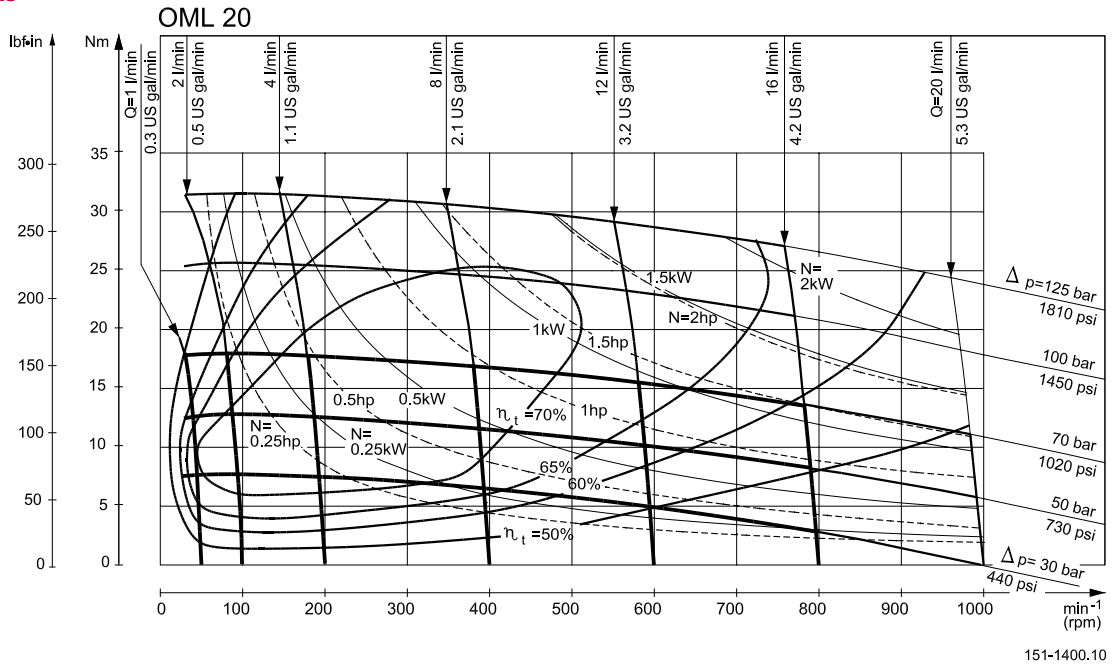
Explanation of function diagram use, basis and conditions can be found on page 4.

- A: Continuous range
- B: Intermittent range (max. 10% operation every minute)

Max. permissible continuous/intermittent pressure drop for the actual shaft version can be found on page 8.

Note: Intermittent pressure drop and oil flow must not occur simultaneously.

Function Diagrams



Explanation of function diagram use, basis and conditions can be found on page 4.

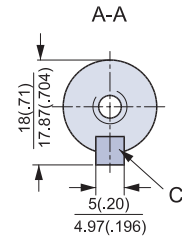
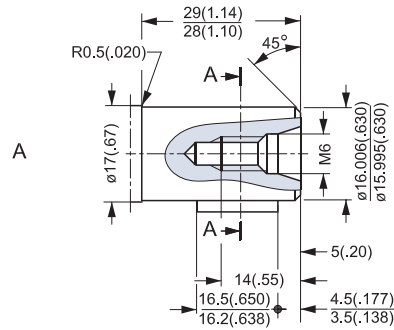
- A: Continuous range
- B: Intermittent range (max. 10% operation every minute)

Max. permissible continuous/intermittent pressure drop for the actual shaft version can be found on page 8.

Note: Intermittent pressure drop and oil flow must not occur simultaneously.

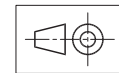
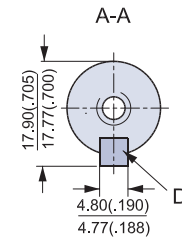
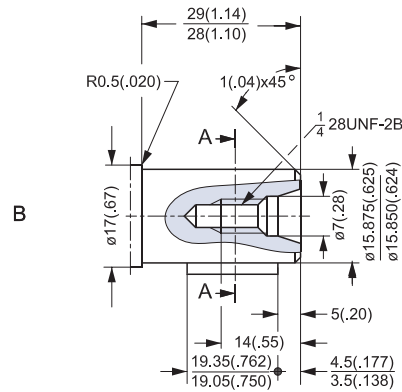
Shaft Version

- A: Cylindrical shaft
 16 mm
- C: Parallel key
 A5 × 5 × 16
 DIN 6885



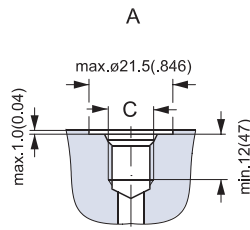
US version

- B: Cylindrical shaft
 $\frac{5}{8}$ "
- D: Parallel key
 $\frac{3}{16} \times \frac{3}{16} \times \frac{3}{4}$ in
 B.S. 46

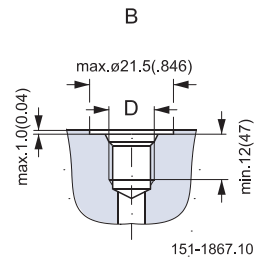


151-1865.10

Port Thread Versions



A: G main ports
C: ISO 228/1 - G¹/₄



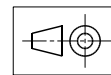
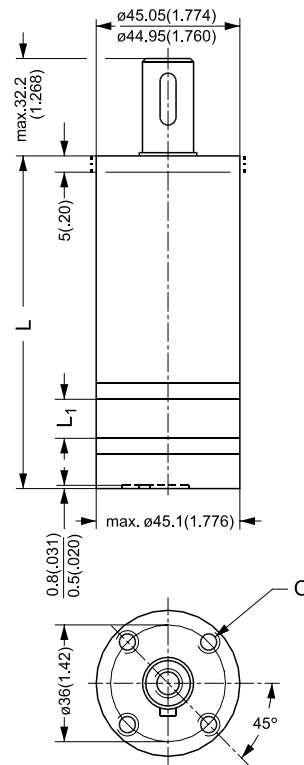
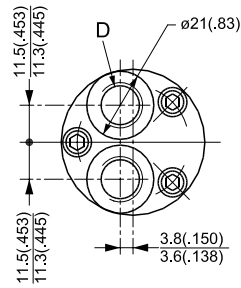
B: UNF main ports
D: ⁷/₁₆ - 20 UNF
O-ring boss port

Dimensions

OML
 End port version.

Type	Length		Weight kg [lb]
	L _{max.}	L ₁ mm [in]	
OML 8	102.5 [4.04]	4.1 [0.16]	1.0 [2.2]
OML 12.5	104.8 [4.13]	6.4 [0.25]	1.0 [2.2]
OML 20	108.6 [4.28]	10.2 [0.40]	1.1 [2.4]
OML 32	114.7 [4.53]	16.3 [0.64]	1.2 [2.6]

C: M5; 15 mm [0.59 in] deep
 D: G ¼; 12 mm [0.47 in] deep



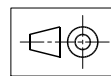
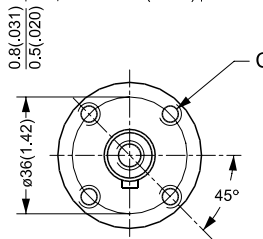
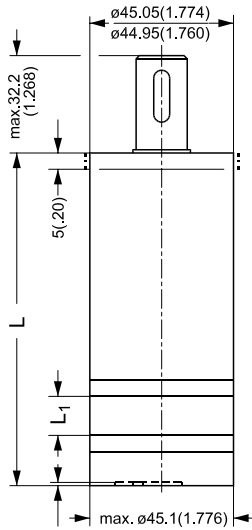
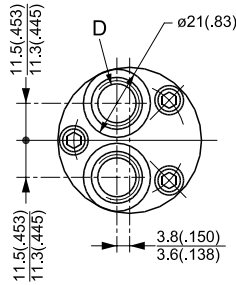
151-1315.10

Dimensions

OML
 End port version.

Type	Length		Weight kg [lb]
	L _{max.}	L ₁ mm [in]	
OML 8	102.5 [4.04]	4.1 [0.16]	1.0 [2.2]
OML 12.5	104.8 [4.13]	6.4 [0.25]	1.0 [2.2]
OML 20	108.6 [4.28]	10.2 [0.40]	1.1 [2.4]
OML 32	114.7 [4.53]	16.3 [0.64]	1.2 [2.6]

C: 10 - 32 UNF;
 15 mm [0.59 in] deep
 D: 7/16 - UNF;
 12 mm [0.47 in] deep
 O-ring boss port



151-1315.10.22



OML and OMM
Technical Information
Notes

Notes

Versions

Mounting	Shaft	Port size	European version	US version	Side port version	End port version	Standard shaft seal	Drain connection	Check valve	Specials	Main type designation
Front; 3 × M6	Cyl. 16 mm	G 3/8	X			X	X	Yes	Yes		OMM
		G 3/8	X		X		X	Yes	Yes		OMM
Front; 3 × 1/4 - 28 UNF	Cyl. 5/8 in	9/16-18 UNF		X		X	X	Yes	Yes		OMM
		9/16-18 UNF		X	X		X	Yes	Yes		OMM
Front; 3 × M6	Splined B17×14	G 3/8	X			X	X	Yes	Yes		OMM
		G 3/8	X		X		X	Yes	Yes		OMM

Function diagram - see page : →

Features available (options) :

- Speed sensor
- Reverse rotation
- Corrosion protected
- Painted
- 2 bolt flange kit (Code no 151G0211)

Code Numbers

Code Numbers	DISPLACEMENT (cm ³)						Technical data – Page	Dimensions – Page
	8	12.5	20	32	40	50		
151G	0040	0001	0002	0003	0277	0037	20	28
151G	0041	0004	0005	0006	0279	0013	20	30
151G	0048	0031	0032	0033	-	5032	20	29
151G	0049	0034	0035	0036	-	0094	20	31
151G	0046	0024	0025	0026	-	-	20	28
151G	0047	0027	0028	0029	0294	-	20	30
→	23	23	24	24	25	25		

Ordering

Add the four digit prefix “151G” to the four digit numbers from the chart for complete code number.

Example:

151G0035 for an OMM 20 with front mounting ($3 \times 1/4$ - 28 UNF), cyl. $5/8$ in shaft and port size $9/16$ - 18 UNF.

Note: Orders will not be accepted without the four digit prefix.

Technical Data for OMM with 16 mm and 5/8 in Cylindrical Shaft

Type			OMM	OMM	OMM	OMM	OMM	OMM
Motor Size			8	12.5	20	32	40	50
Geometric displacement	cm ³ [in ³]		8.2 [0.50]	12.5 [0.77]	19.9 [1.22]	31.6 [1.93]	39.8 [2.43]	50 [3.08]
Max. speed	min ⁻¹ [rpm]	cont.	1950	1550	1000	630	500	400
		int. ¹⁾	2450	1940	1250	800	630	500
Max. torque	Nm [lbf·in]	cont.	11 [95]	16 [140]	25 [220]	40 [350]	45 [400]	46 [410]
		int. ¹⁾	15 [135]	23 [200]	35 [310]	57 [500]	70 [620]	88 [780]
Max. output	kW [hp]	cont.	1.8 [2.4]	2.4 [3.2]	2.4 [3.2]	2.4 [3.2]	2.2 [3.0]	1.8 [2.4]
		int. ¹⁾	2.6 [3.5]	3.2 [4.3]	3.2 [4.3]	3.2 [4.3]	3.2 [4.3]	3.2 [4.3]
Max. pressure drop	bar [psi]	cont.	100 [1450]	100 [1450]	100 [1450]	100 [1450]	90 [1310]	70 [1020]
		int. ¹⁾	140 [2030]	140 [2030]	140 [2030]	140 [2030]	140 [2030]	140 [2030]
		peak ²⁾	200 [2900]	200 [2900]	200 [2900]	160 [2320]	160 [2320]	160 [2320]
Max. oil flow	l/min [USgal/min]	cont.	16 [4.2]	20 [5.3]	20 [5.3]	20 [5.3]	20 [5.3]	20 [5.3]
		int. ¹⁾	20 [5.3]	25 [6.6]	25 [6.6]	25 [6.6]	25 [6.6]	25 [6.6]
Max. starting pressure with unloaded shaft	bar [psi]		4 [60]	4 [60]	4 [60]	4 [60]	4 [60]	4 [60]
Min. starting torque	at max. press. drop cont. Nm [lbf·in]		7 [60]	12 [105]	21 [185]	34 [300]	38 [335]	41 [365]
	at max. press. drop int. ¹⁾ Nm [lbf·in]		10 [90]	147 [150]	29 [255]	48 [425]	62 [550]	79 [700]
Min. speed ³⁾	min ⁻¹ [rpm]		50	40	30	30	30	30

Type		Max. Inlet Pressure
OML 8 - 50	bar [psi]	cont. 140 [2030]
	bar [psi]	int. ¹⁾ 175 [2538]
	bar [psi]	peak ²⁾ 225 [3260]

¹⁾ Intermittent operation: the permissible values may occur for max. 10% of every minute.

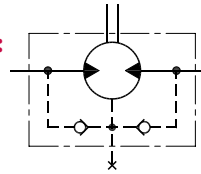
²⁾ Peak load: the permissible values may occur for max. 1% of every minute.

³⁾ Operation by lower speeds may be slightly less smooth.

Max. Permissible Shaft Seal Pressure

OMM with check valves and without use of drain connection:

The pressure on the shaft seal never exceeds the pressure in the return line.

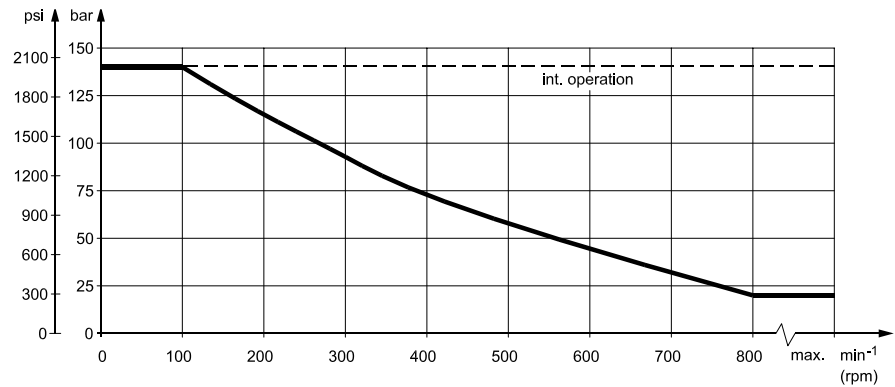


151-320.10

OMM with check valves and drain connection:

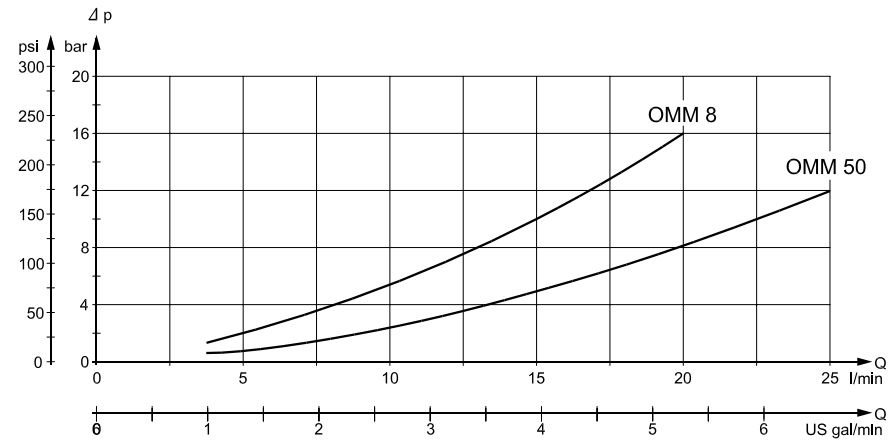
The shaft seal pressure equals the pressure on the drain line.

Max. return pressure without drain line or max. pressure in drain line



151-1671.10

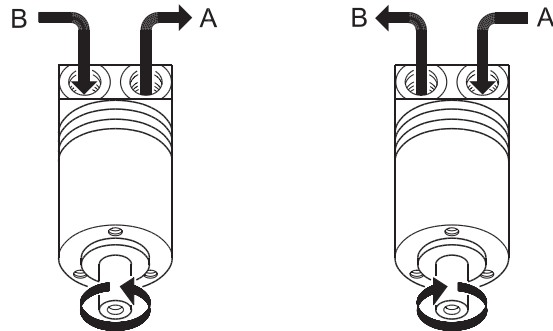
Pressure Drop in Motor



151-1367.10

The curve applies to an unloaded motor shaft and an oil viscosity of 35 mm²/s [165 SUS]

Direction of Shaft Rotation



P301 008

Permissible Shaft Loads for OMM

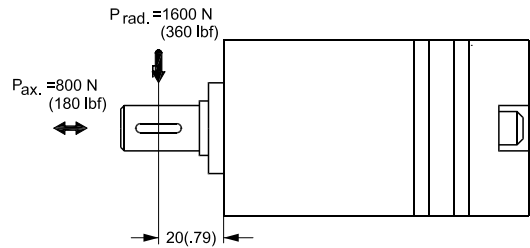
The permissible radial shaft load ($P_{rad.}$) is calculated from the distance (l) between the point of load and the mounting surface:

$$P_{rad.} = \frac{130400}{61.5 + l} \text{ N (l in mm; } l \leq 80 \text{ mm)}$$

$$P_{rad.} = \frac{748}{2.54 + l} \text{ lbf (l in inch; } l \leq 3.15 \text{ in)}$$

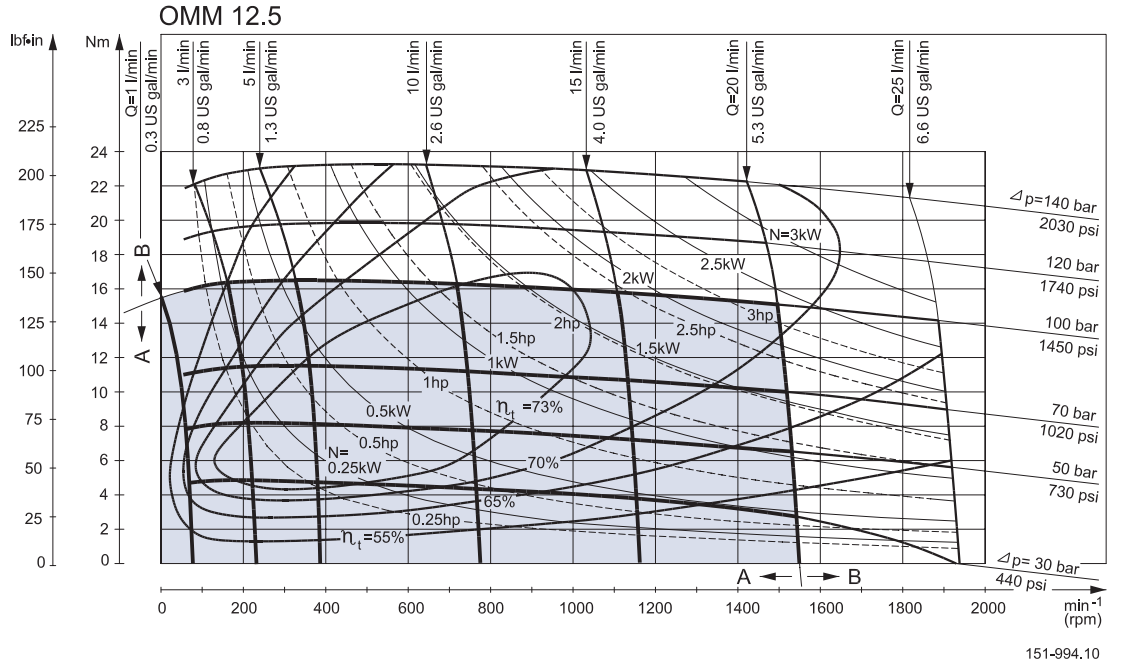
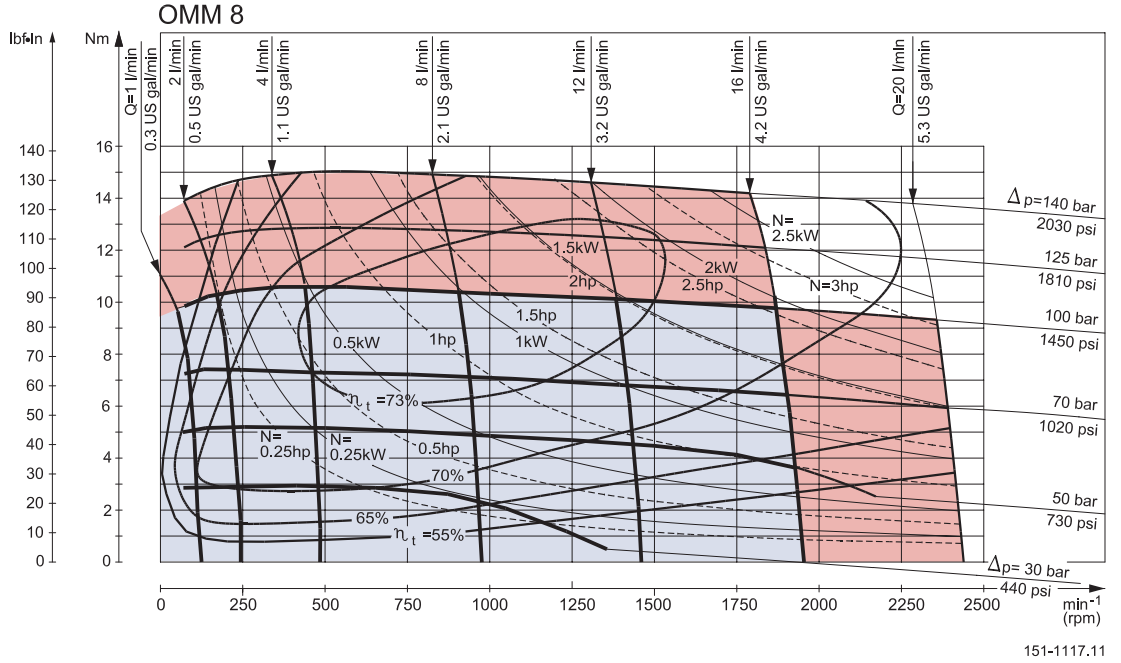
The drawing shows the permissible radial load when $l = 20 \text{ mm [0.79 in]}$.

The calculated shaft load should never exceed the permissible value.



151-980.11

Function Diagrams



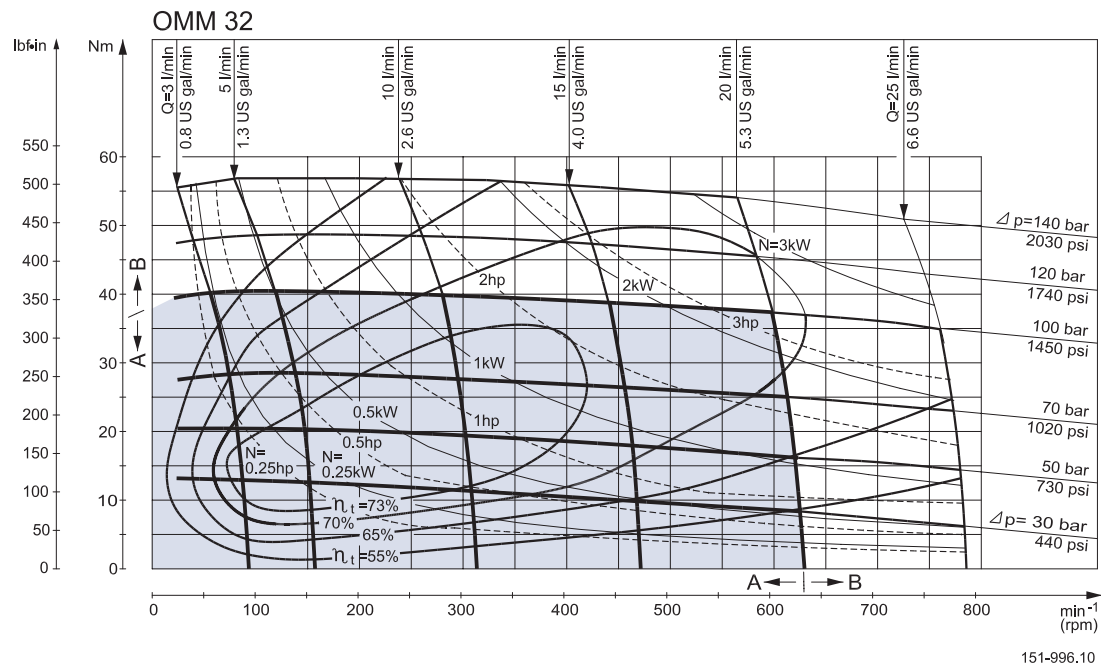
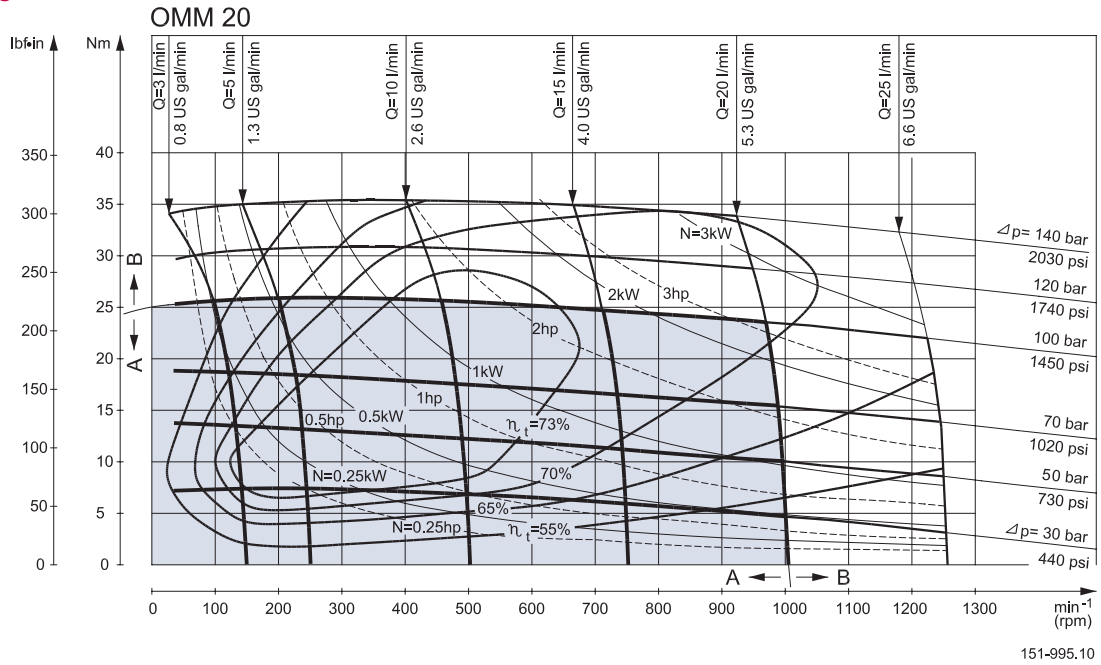
Explanation of function diagram use, basis and conditions can be found on page 4.

- A: Continuous range
- B: Intermittent range (max. 10% operation every minute)

Max. permissible continuous/intermittent pressure drop for the actual shaft version can be found on page 20.

Note: Intermittent pressure drop and oil flow must not occur simultaneously.

Function Diagrams



Explanation of function diagram use, basis and conditions can be found on page 4.

- A: Continuous range
- B: Intermittent range (max. 10% operation every minute)

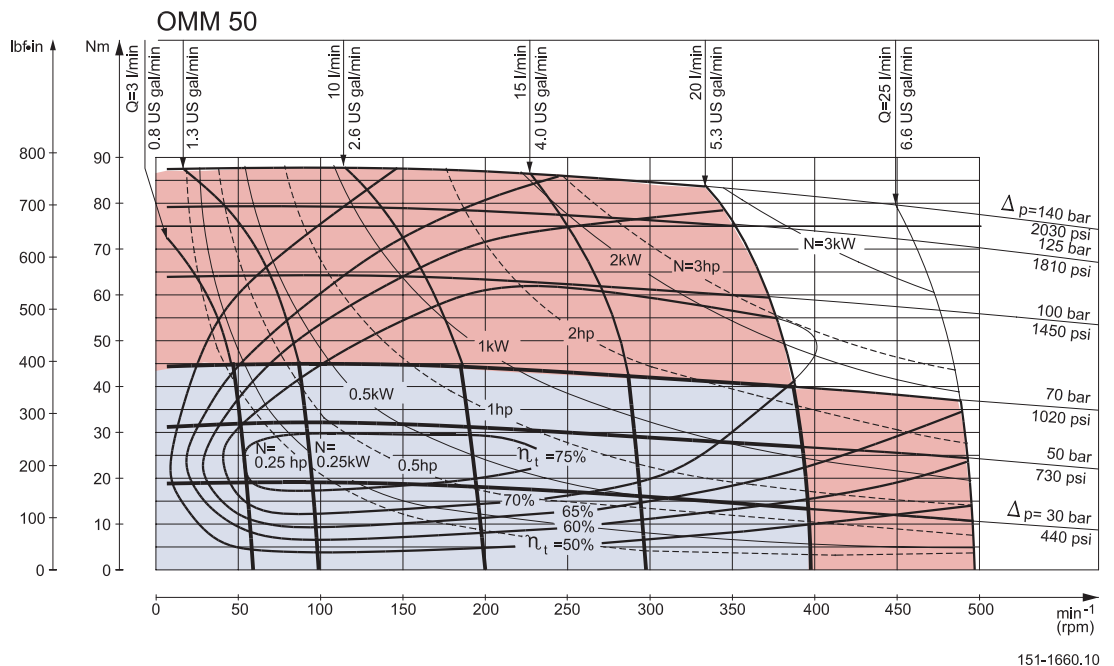
Max. permissible continuous/intermittent pressure drop for the actual shaft version can be found on page 20.

Note: Intermittent pressure drop and oil flow must not occur simultaneously.

Function Diagrams

OMM 40

No function diagram available for OMM 40.



Explanation of function diagram use, basis and conditions can be found on page 4.

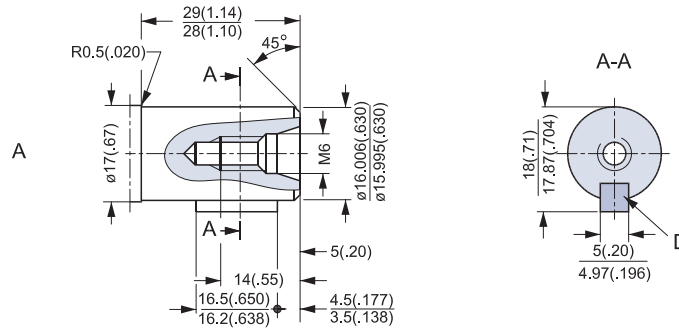
- A: Continuous range
- B: Intermittent range (max. 10% operation every minute)

Max. permissible continuous/intermittent pressure drop for the actual shaft version can be found on page 20.

Note: Intermittent pressure drop and oil flow must not occur simultaneously.

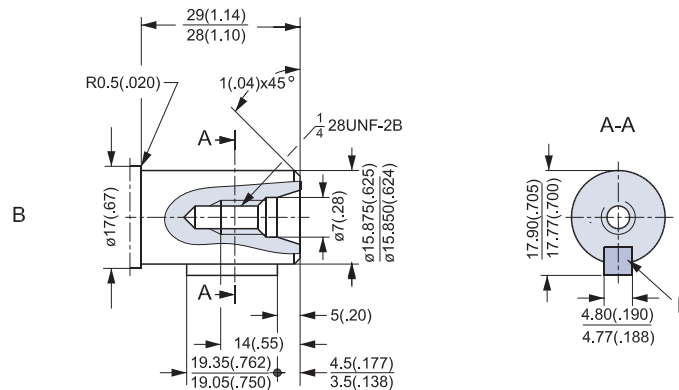
Shaft Version

- A: Cylindrical shaft
16 mm (xx in)
- D: Parallel key
A5 • 5 • 16
DIN 6885

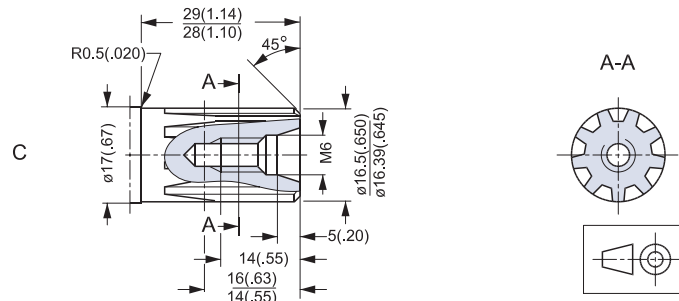


US version

- B: Cylindrical shaft
 $\frac{5}{8}$ in
- E: Parallel key
 $\frac{3}{16} \cdot \frac{3}{16} \cdot \frac{3}{4}$ in
B.S. 46

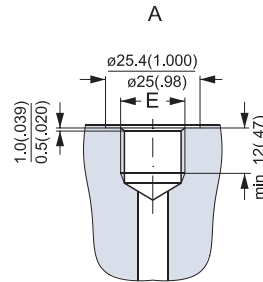


- C: Involute splined shaft
B17 • 14, DIN 5482
Measurement $19,641 \pm 0.04$ mm
over 3 mm pins deviates from
DIN 5482

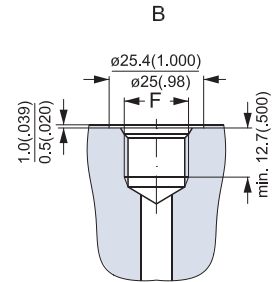


151-1866.10

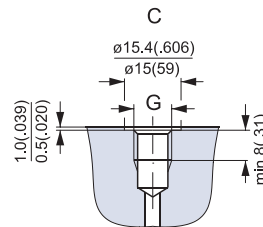
Port Thread Versions



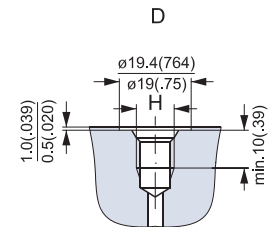
A: G main ports
E: ISO 228/1 - G³/₈



B: UNF main ports
F: ⁹/₁₆ - 18 UNF
O-ring boss port



C: G drain ports
G: ISO 228/1 - G¹/₈



D: UNF drain ports
H: ³/₈ - 24 UNF
O-ring port

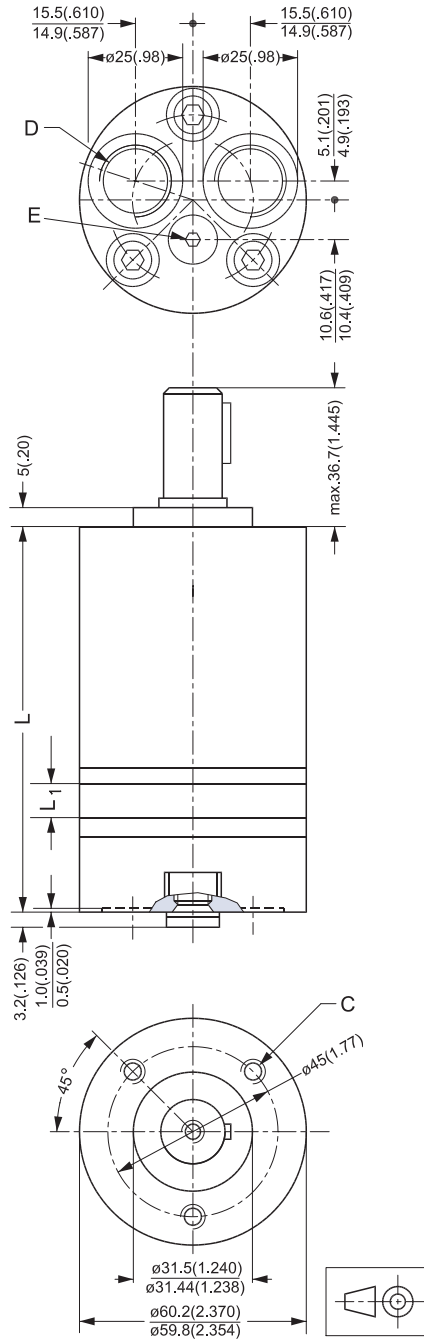
151-1869.10

Dimensions

OMM
 End port version.

Type	Length		Weight kg [lb]
	L _{max.}	L ₁ mm [in]	
OMM 8	104.0 [4.09]	3.5 [0.14]	1.9 [4.2]
OMM 12.5	106.0 [4.17]	5.5 [0.22]	2.0 [4.4]
OMM 20	109.0 [4.29]	8.5 [0.33]	2.1 [4.6]
OMM 32	114.0 [4.49]	13.5 [0.53]	2.2 [4.8]
OMM 40	118.0 [4.65]	17.0 [0.67]	2.3 [5.1]
OMM 50	122.0 [4.80]	21.5 [0.85]	2.4 [5.3]

C: M6; 10 mm [0.39 in] deep
 D: G 3/8; 12 mm [0.47 in] deep
 E: Drain connection G 1/8;
 8 mm [0.39 in] deep



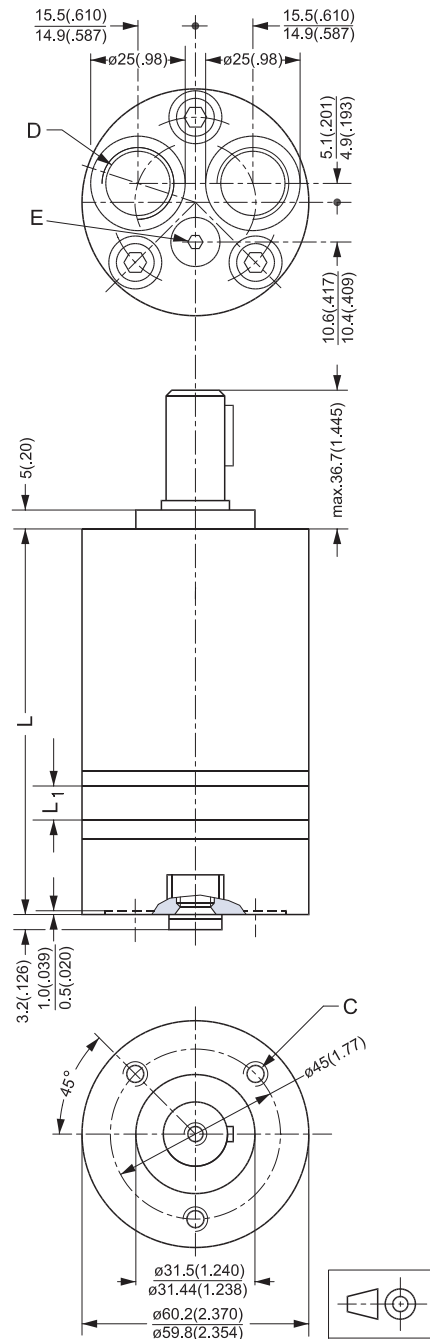
P301 008

Dimensions

OMM
 End port version.

Type	Length		Weight kg [lb]
	L _{max.}	L ₁ mm [in]	
OMM 8	104.0 [4.09]	3.5 [0.14]	1.9 [4.2]
OMM 12.5	106.0 [4.17]	5.5 [0.22]	2.0 [4.4]
OMM 20	109.0 [4.29]	8.5 [0.33]	2.1 [4.6]
OMM 32	114.0 [4.49]	13.5 [0.53]	2.2 [4.8]
OMM 50	122.0 [4.80]	21.5 [0.85]	2.4 [5.3]

- C: 1/4 - 28 UNF - 2B;
min. 10 mm [0.39 in] deep
- D: 9/16 - 18 UNF;
12 mm [0.47 in] deep
O-ring boss port
- E: 3/8 - 24 UNF;
8 mm [0.39 in] deep
O-ring port



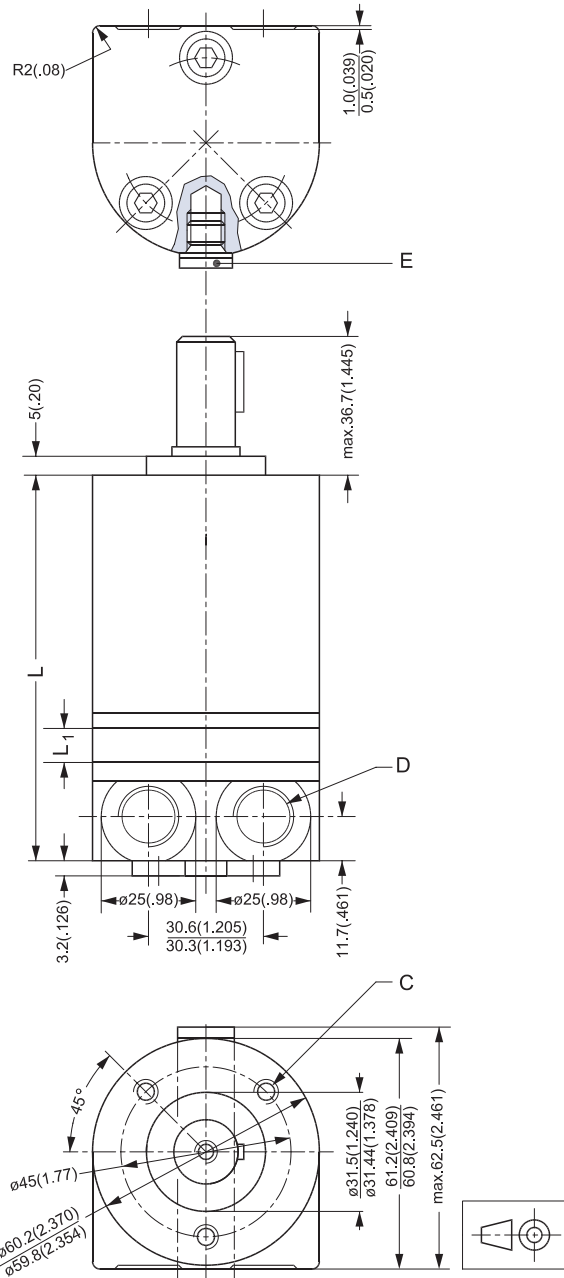
P301 008

Dimensions

OMM
 Side port version.

Type	Length		Weight kg [lb]
	L _{max.}	L ₁ mm [in]	
OMM 8	104.0 [4.09]	3.5 [0.14]	1.9 [4.2]
OMM 12.5	106.0 [4.17]	5.5 [0.22]	2.0 [4.4]
OMM 20	109.0 [4.29]	8.5 [0.33]	2.1 [4.6]
OMM 32	114.0 [4.49]	13.5 [0.53]	2.2 [4.8]
OMM 40	118.0 [4.65]	17.0 [0.67]	2.3 [5.1]
OMM 50	122.0 [4.80]	21.5 [0.85]	2.4 [5.3]

C: M6; 10 mm [0.39 in] deep
 D: G 3/8; 12 mm [0.47 in] deep
 E: Drain connection G 1/8;
 8 mm [0.39 in] deep



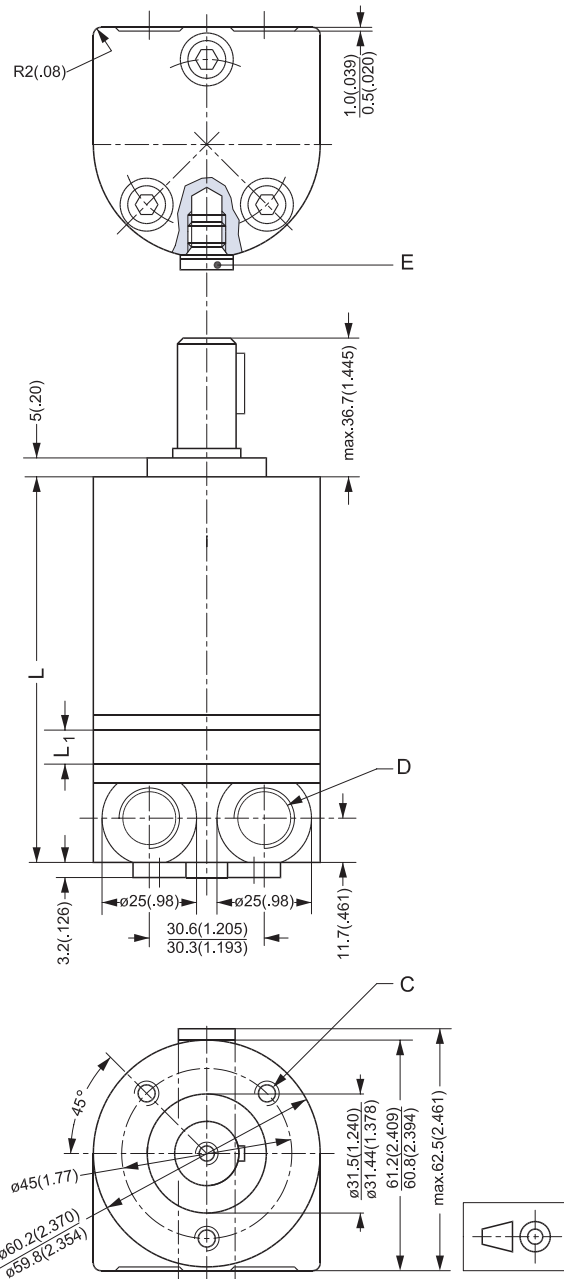
P301 010

Dimensions

OMM
 Side port version.

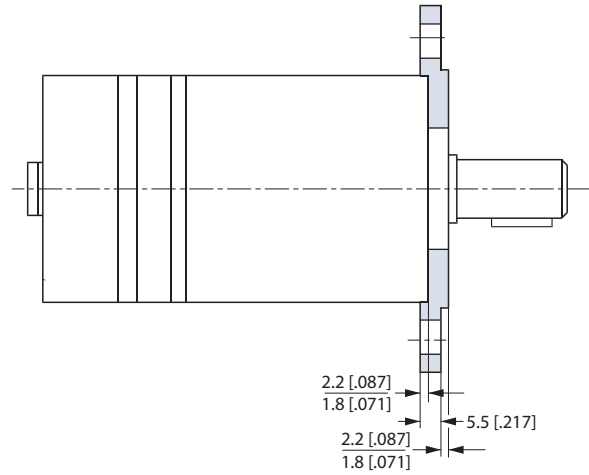
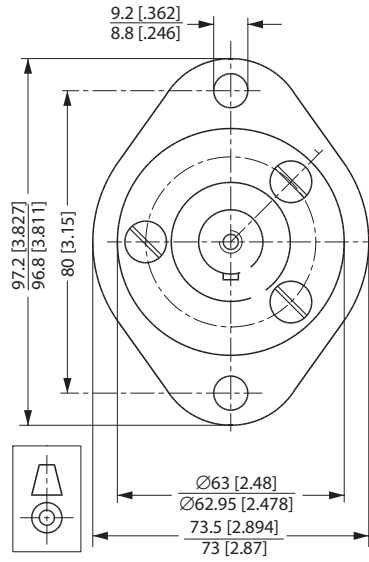
Type	Length		Weight kg [lb]
	L _{max.}	L ₁ mm [in]	
OMM 8	104.0 [4.09]	3.5 [0.14]	1.9 [4.2]
OMM 12.5	106.0 [4.17]	5.5 [0.22]	2.0 [4.4]
OMM 20	109.0 [4.29]	8.5 [0.33]	2.1 [4.6]
OMM 32	114.0 [4.49]	13.5 [0.53]	2.2 [4.8]
OMM 50	122.0 [4.80]	21.5 [0.85]	2.4 [5.3]

- C: 1/4 - 28 UNF - 2B;
min. 10 mm [0.39 in] deep
- D: 3/16 - 18 UNF;
12 mm [0.47 in] deep
- E: 3/8 - 24 UNF;
8 mm [0.39 in] deep



P301 010

**2 Bolt Flange Kit, Code
No. 151G0211**



P301 013



OML and OMM
Technical Information
Notes



OML and OMM
Technical Information
Notes

Installation of the Sauer-Danfoss Orbital Motors

About the design

- To ensure efficient operation all hydraulic components must be installed according to their individual instructions.
- The pump line must include a manometer connection.
- To ensure designed contact and minimise the tension all mounting flanges must be flate.

Hydraulic lines must be fitted correctly to prevent air entrapment.

About the assembly

- Follow the mounting instructions printed on the inside of the cardboard box.
- To prevent contamination, do not dismantle the plastic plugs from the connection ports until the fittings are ready to be assembled.
- Check that there is full face contact between the motor mounting flange and the mating part.
- Do not force the motor into place when tightening the mounting screws.
- Avoid unsuitable sealing material on fittings such as pack twine, teflon and others. Use only bonded seals, O-rings, steel washers and the like.
- When tightening the fittings never use a torque higher than the max. tightening torque stated in the instructions.
- Make sure that the cleanliness of the oil used is better than 20/16 (ISO 4406). Always use a filter for oil refilling.

Starting Up and Running in the Hydraulic System

- Through a small-meshed filter fill up the tank with oil to the upper oil level mark .
- Start the drive engine, and if possible, let it work at its lowest speed. If the motor is provided with bleed screws, keep these open until the emerging oil is non-foaming.
- Check that all components are correctly connected (pump following the right direction of rotation etc.).
- In load-sensing systems, also make sure that the signal lines are bled.
- Indications of air in the hydraulic system:
 - oam in the tank
 - jerky movements of motor and cylinder
 - noise
- If so required, refill with oil.
- Connect the system to a separate tank that includes a filter (fineness max. 10 µm) with twice the capacity of the max. oil flow. Let the entire system run without load (no pressure) for about 30 minutes.
- Do not load the system until it is all bled and clean.
- Check the tightness of the system and make sure that its performance is satisfactory.
- Change the oil filter, and if so required, refill with oil.

Operation

- Do not expose the motor to pressures, pressure drops and speeds above the max. values stated in the catalogue.
- Filter the oil to ensure that the contamination level 20/16 (ISO 4406) or better.

Maintenance

- When working with hydraulic systems, the main criteria of operating safety and endurance is careful maintenance
- Always renew and replace oil, oil filters and air filters according to the instructions given by the respective manufacturers
- Regularly check the condition of the oil
- Frequently check system tightness and oil level

Our Products

Open circuit axial piston pumps
 Gear pumps and motors
 Fan drive systems
 Closed circuit axial piston pumps and motors
 Bent axis motors
 Hydrostatic transmissions
 Transit mixer drives
 Hydrostatic transaxles
 Electrohydraulics
 Integrated systems
 Microcontrollers and software
 PLUS+1™ GUIDE
 Displays
 Joysticks and control handles
 Sensors
 Orbital motors
 Inverters
 Electrohydraulic power steering
 Hydraulic power steering
 Hydraulic integrated circuits (HIC)
 Cartridge valves
 Directional spool valves
 Proportional valves

Sauer-Danfoss Mobile Power and Control Systems – Market Leaders Worldwide

Sauer-Danfoss is a comprehensive supplier providing complete systems to the global mobile market.

Sauer-Danfoss serves markets such as agriculture, construction, road building, material handling, municipal, forestry, turf care, and many others.

We offer our customers optimum solutions for their needs and develop new products and systems in close cooperation and partnership with them.

Sauer-Danfoss specializes in integrating a full range of system components to provide vehicle designers with the most advanced total system design.

Sauer-Danfoss provides comprehensive worldwide service for its products through an extensive network of Global Service Partners strategically located in all parts of the world.

Local address:



Sauer-Danfoss (US) Company
 2800 East 13th Street
 Ames, IA 50010, USA
 Phone: +1 515 239-6000
 Fax: +1 515 239 6618

Sauer-Danfoss ApS
 DK-6430 Nordborg, Denmark
 Phone: +45 7488 4444
 Fax: +45 7488 4400

Sauer-Danfoss GmbH & Co. OHG
 Postfach 2460, D-24531 Neumünster
 Krokamp 35, D-24539 Neumünster, Germany
 Phone: +49 4321 871-0
 Fax: +49 4321 871 122

Sauer-Danfoss-Daikin LTD.
 Shin-Osaka TERASAKI 3rd Bldg. 6F
 1-5-28 Nishimiyahara, Yodogawa-ku
 Osaka 532-0004, Japan
 Phone: +81 6 6395 6066
 Fax: +81 6 6395 8585